

注記
NOTES

1. 材料 ハウジング : ガラス繊維 15% 入り PBTP (UL94V-0), 黒色
ターミナル : リン青銅

MATERIAL
HOUSING : G.F. 15% PBTP (UL94V-0)
TERMINAL : PHOSPHOR BRONZE

2. 適用電線 : 1.27 ピッチリボンケーブル 被覆外径 : $\phi 1.14$ MAX.
より線 : AWG#26 ~ #28 (芯線 7 本構成)
単線 : AWG#28

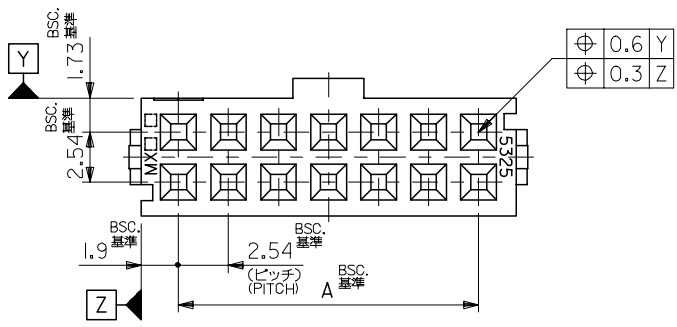
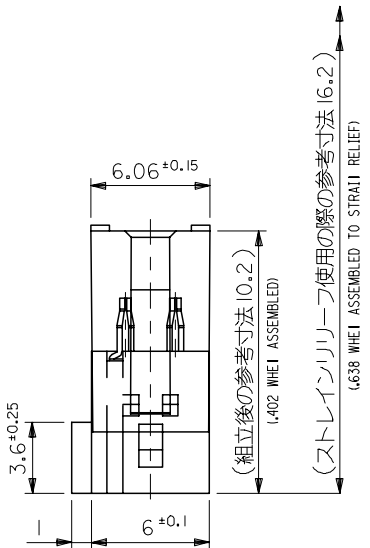
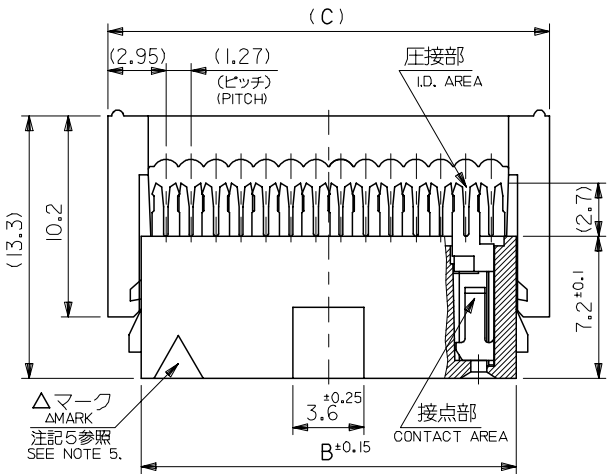
FOR USE WITH AWG#26 & #28 STRANDED WIRE (CONSISTS OF 7 CONDUCTORS) AND #28 SOLID WIRE.
1.14(.045) DIA. MAX. INSULATION RIBBON CABLE WITH 1.27(.050) CENTERS.

3. 適合ストレインリリーフ : 5328-N
MATES WITH STRAIN RELIEF OF 5328 SERIES.

4. 嵌合相手 : 5330, 5332, 5340, 5342, 5576, 5578 シリーズ
MATES WITH CONNECTOR SERIES OF 5330, 5332, 5340, 5342, 5576 & 5578.

5. 使用符号の説明 LEGEND 5320 - N B * - *

ベースナンバー _____ MATERIAL COLOR
BASE NUMBER _____ BLANK : BLACK
極数 _____ GY : GREY
CIRCUIT SIZE _____
アッパーハウジング組付けタイプ _____
PRELOADED UPPER HOUSING _____
ターミナルのメッキコード _____
PLATING CODE OF TERMINAL _____



64	78.74	82.54	85.91
60	73.66	77.46	80.83
50	60.96	64.76	68.13
44	53.34	57.14	60.51
40	48.26	52.06	55.43
34	40.64	44.44	47.81
30	35.56	39.36	42.73
26	30.48	34.28	37.65
20	22.86	26.66	30.03
16	17.78	21.58	24.95
14	15.24	19.04	22.41
12	12.70	16.50	19.87
10	10.16	13.96	17.33
極数 No. Of CKTS.	A 寸法 DIM.A	B 寸法 DIM.B	C 寸法 DIM.C

コード:*	△マークの色	接点部メッキ	圧接部メッキ	下地メッキ
LEAD-FREE G1	白 WHITE	金 0.1 μ m MIN. GOLD	金 0.1 μ m MIN. GOLD	ニッケル 1 μ m MIN. NICKEL
LEAD-FREE G2	橙 ORANGE	金 0.76 μ m MIN. GOLD		
LEAD-FREE G3	緑 GREEN	金 0.25 μ m MIN. GOLD	半田 1 μ m MIN. TIN-LEAD	ニッケル 1 μ m MIN. NICKEL
GS1	黄 YELLOW	金 0.1 μ m MIN. GOLD		
GS2	茶 BROWN	金 0.76 μ m MIN. GOLD		
GS3	青 BLUE	金 0.25 μ m MIN. GOLD		
GS4	金 GOLD	金 1.27 μ m MIN. GOLD	錫 1 μ m MIN. TIN	ニッケル 1 μ m MIN. NICKEL
LEAD-FREE GS17F	黄 YELLOW	金 0.1 μ m MIN. GOLD		
LEAD-FREE GS27F	茶 BROWN	金 0.76 μ m MIN. GOLD		
LEAD-FREE GS37F	青 BLUE	金 0.25 μ m MIN. GOLD		
LEAD-FREE GS47F	金 GOLD	金 1.27 μ m MIN. GOLD	錫 0.9 μ m MIN. TIN	リフロー処理 (前メッキ) REFLOW (PRE-PLATED)
LEAD-FREE T2	黒 BLACK	錫 0.9 μ m MIN. TIN		

REVISED EC NO: J2006-0433 DRWN: YANAGI MOTO 2005/08/09 CHKD: TANAKA 2005/08/17 APPR: NUKITA 2005/08/24	GENERAL TOLERANCES (UNLESS SPECIFIED)		DIMENSION STYLE MM ONLY		SCALE 4:1	DESIGN UNITS METRIC	THIRD ANGLE PROJECTION
	10 UNDER	±0.2	DRAWN BY H. HIRAMOTO		TITLE GIK FLECS FEMALE ASS'Y		
	10 OVER 30 UNDER	±0.25	DATE 1990/07/11				
	30 OVER	±0.3	CHECKED BY				
	ANGULAR	±3 °	DATE		APPROVED BY MOLEX MOLEX INCORPORATED		
DRAFT WHERE APPLICABLE MUST REMAIN WITHIN DIMENSIONS		MATERIAL NO. SEE SHEET 2		DOCUMENT NO. SD-5320-003		SHEET NO. 1 OF 2	

F

E

D

C

B

A

EDP NO.	ENG. NO.	EDP NO.	ENG. NO.	EDP NO.	ENG. NO.	EDP NO.	ENG. NO.	EDP NO.	ENG. NO.	EDP NO.	ENG. NO.	EDP NO.	ENG. NO.	EDP NO.	ENG. NO.	NO. OF CKTS.
39-53-4645	5320-64BGS37F-GY	39-53-4644	5320-64BGS27F-GY	39-53-4643	5320-64BGS17F-GY			39-53-4641	5320-64BGS37F	39-53-4640	5320-64BGS27F	39-53-3649	5320-64BGS17F			64
-4605	-60BGS37F-GY	-4604	-60BGS27F-GY	-4603	-60BGS17F-GY			-4601	-60BGS37F	-4600	-60BGS27F	-3609	-60BGS17F			60
-4505	-50BGS37F-GY	-4504	-50BGS27F-GY	-4503	-50BGS17F-GY	39-53-4502	5320-50BGS47F	-4501	-50BGS37F	-4500	-50BGS27F	-3509	-50BGS17F			50
								-4441	-44BGS37F							44
-4405	-40BGS37F-GY	-4404	-40BGS27F-GY	-4403	-40BGS17F-GY			-4401	-40BGS37F	-4400	-40BGS27F	-3409	-40BGS17F			40
-4345	-34BGS37F-GY	-4344	-34BGS27F-GY	-4343	-34BGS17F-GY	-4342	-34BGS47F	-4341	-34BGS37F	-4340	-34BGS27F	-3349	-34BGS17F			34
-4305	-30BGS37F-GY	-4304	-30BGS27F-GY	-4303	-30BGS17F-GY			-4301	-30BGS37F	-4300	-30BGS27F	-3309	-30BGS17F			30
-4265	-26BGS37F-GY	-4264	-26BGS27F-GY	-4263	-26BGS17F-GY	-4262	-26BGS47F	-4261	-26BGS37F	-4260	-26BGS27F	-3269	-26BGS17F			26
-4205	-20BGS37F-GY	-4204	-20BGS27F-GY	-4203	-20BGS17F-GY			-4201	-20BGS37F	-4200	-20BGS27F	-3209	-20BGS17F			20
-4165	-16BGS37F-GY	-4164	-16BGS27F-GY	-4163	-16BGS17F-GY	-4162	-16BGS47F	-4161	-16BGS37F	-4160	-16BGS27F	-3169	-16BGS17F			16
-4145	-14BGS37F-GY	-4144	-14BGS27F-GY	-4143	-14BGS17F-GY	39-53-4142	5320-14BGS47F	-4141	-14BGS37F	-4140	-14BGS27F	-3149	-14BGS17F			14
																12
39-53-4105	5320-10BGS37F-GY	39-53-4104	5320-10BGS27F-GY	39-53-4103	5320-10BGS17F-GY			39-53-4101	5320-10BGS37F	39-53-4100	5320-10BGS27F	39-53-3109	5320-10BGS17F			10
5320-NBGS37F-GY LEAD FREE	5320-NBGS27F-GY LEAD FREE	5320-NBGS17F-GY LEAD FREE	5320-NBGS47F LEAD FREE	5320-NBGS37F LEAD FREE	5320-NBGS27F LEAD FREE	5320-NBGS17F LEAD FREE										NO. OF CKTS.
39-51-7644	5320-64BGS3-GY	39-51-7643	5320-64BGS2-GY	39-51-7642	5320-64BGS1-GY			39-51-2645	5320-64BGS3	39-51-2644	5320-64BGS2	39-51-2643	5320-64BGS1			64
-7604	-60BGS3-GY	-7603	-60BGS2-GY	-7602	-60BGS1-GY			-2605	-60BGS3	-2604	-60BGS2	-2603	-60BGS1			60
-7504	-50BGS3-GY	-7503	-50BGS2-GY	-7502	-50BGS1-GY	39-51-9500	5320-50BGS4	-2505	-50BGS3	-2504	-50BGS2	-2503	-50BGS1			50
								-2445	-44BGS3							44
-7404	-40BGS3-GY	-7403	-40BGS2-GY	-7402	-40BGS1-GY			-2405	-40BGS3	-2404	-40BGS2	-2403	-40BGS1			40
-7344	-34BGS3-GY	-7343	-34BGS2-GY	-7342	-34BGS1-GY	-9340	-34BGS4	-2345	-34BGS3	-2344	-34BGS2	-2343	-34BGS1			34
-7304	-30BGS3-GY	-7303	-30BGS2-GY	-7302	-30BGS1-GY			-2305	-30BGS3	-2304	-30BGS2	-2303	-30BGS1			30
-7264	-26BGS3-GY	-7263	-26BGS2-GY	-7262	-26BGS1-GY	-9260	-26BGS4	-2265	-26BGS3	-2264	-26BGS2	-2263	-26BGS1			26
-7204	-20BGS3-GY	-7203	-20BGS2-GY	-7202	-20BGS1-GY			-2205	-20BGS3	-2204	-20BGS2	-2203	-20BGS1			20
-7164	-16BGS3-GY	-7163	-16BGS2-GY	-7162	-16BGS1-GY	-9160	-16BGS4	-2165	-16BGS3	-2164	-16BGS2	-2163	-16BGS1			16
-7144	-14BGS3-GY	-7143	-14BGS2-GY	-7142	-14BGS1-GY	39-51-9140	5320-14BGS4	-2145	-14BGS3	-2144	-14BGS2	-2143	-14BGS1			14
																12
39-51-7104	5320-10BGS3-GY	39-51-7103	5320-10BGS2-GY	39-51-7102	5320-10BGS1-GY			39-51-2105	5320-10BGS3	39-51-2104	5320-10BGS2	39-51-2103	5320-10BGS1			10
5320-NBGS3-GY	5320-NBGS2-GY	5320-NBGS1-GY	5320-NBGS4	5320-NBGS3	5320-NBGS2	5320-NBGS1										NO. OF CKTS.
																64
								39-52-1505	5320-50BT2	39-51-0601	5320-60BG3	15-29-3604	5320-60BG2	15-29-3603	5320-60BG1	60
										-0501	-50BG3	-3504	-50BG2	-3503	-50BG1	50
																44
																40
																34
																30
																26
																20
																16
																14
																12
								39-52-1105	5320-10BT2	39-51-0101	5320-10BG3	15-29-3104	5320-10BG2	15-29-3103	5320-10BG1	10
																NO. OF CKTS.
																5320-NBT2 LEAD FREE
																5320-NBG3 LEAD FREE
																5320-NBG2 LEAD FREE
																5320-NBG1 LEAD FREE

REVISED EC NO: J2006-04-33 DRW: A. VANAGI MOTO 2005/08/09 CHK: D. TANAKA 2005/08/17 APPR: N. ITO 2005/08/24	GENERAL TOLERANCES (UNLESS SPECIFIED)		DIMENSION STYLE MM ONLY		SCALE 4:1	DESIGN UNITS METRIC	THIRD ANGLE PROJECTION
	10 UNDER	± 0.2	DRAWN BY H. HIRAMOTO		TITLE QIK FLECS FEMALE ASS'Y		
	10 OVER 30 UNDER	± 0.25	CHECKED BY		DATE 1990/07/11		
	30 OVER	± 0.3	APPROVED BY		DATE		
ANGULAR ± 3 °		MATERIAL NO.		DOCUMENT NO.		SHEET NO.	
DRAFT WHERE APPLICABLE MUST REMAIN WITHIN DIMENSIONS		SEE CHART		SD-5320-003		2 OF 2	
THIS DRAWING CONTAINS INFORMATION THAT IS PROPRIETARY TO MOLEX INCORPORATED AND SHOULD NOT BE USED WITHOUT WRITTEN PERMISSION							